



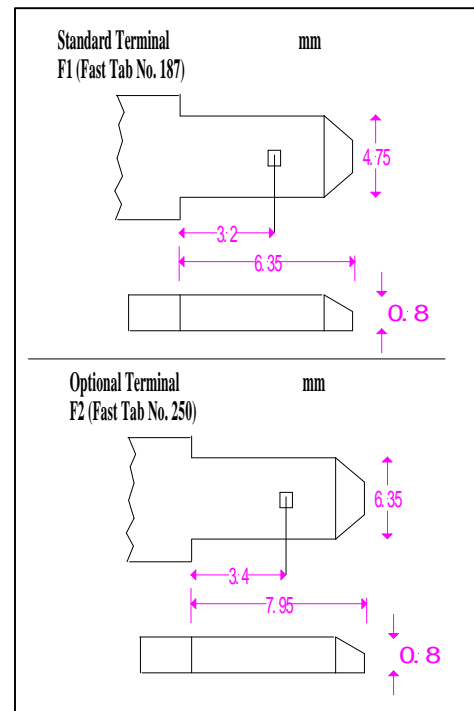
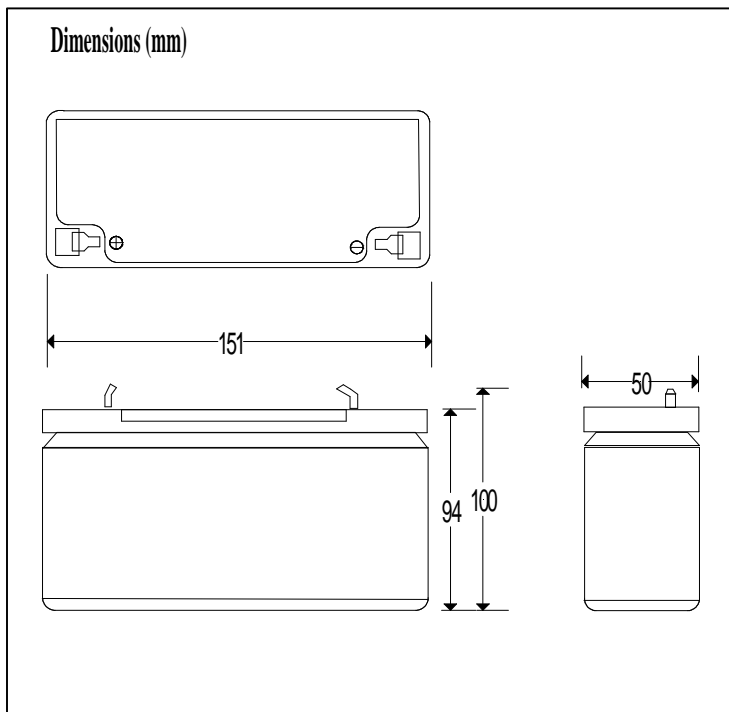
UB6120 (6V12Ah)

NOTE



PHYSICAL SPECIFICATIONS

Nominal Voltage Nominal Capacity (20HR)		6V 12 Ah
Dimensions	Length	151 +/-1mm(5.94 inches)
	Width	50 +/-1mm(1.97 inches)
	Height	94 +/-2mm(3.70 inches)
	Total Height	100 +/-2mm(3.94 inches)
Weight		Approx. 2.10 kg (4.63lbs)
Standard Terminal		F1 – Faston Tab No.187





ELECTRICAL SPECIFICATIONS

Capacity	20 hour rate (0.35A)	12 Ah	Max. Discharge Current (5 sec.)	100A
	10 hour rate (0.63A)	10.8 Ah		Cycle
Capacity affected by Temperature	5 hour rate (1.12A)	9.6 Ah	Constant Voltage Charge	
	1 hour rate (4.2A)	7.2 Ah		Initial Charging Current less than 3.6A Voltage 6.75V ~ 6.90V at 20°C (68°F) Temp. Coefficient-10mV/°C
Capacity affected by Temperature			Internal Resistance Fully charged battery (20°C, 68°F) 35milliohms	
Capacity affected by Temperature			40°C(104°F) 105%	
Capacity affected by Temperature			20°C(68°F) 100%	
Capacity affected by Temperature			0°C(32°F) 85%	

